

## E2000 Simplex Adapter

### Introduction

The E2000 Adapter features injection-molded PBT housing, rated to the UL94V-01 Flammability Index. Spring-loaded shutters protect against dust and scratching. A high quality split ceramic sleeve ensures high performance over 1000 mating cycles. The adapter may be ordered with color coded housing and frames. Mechanical coding is available upon request.

### Features

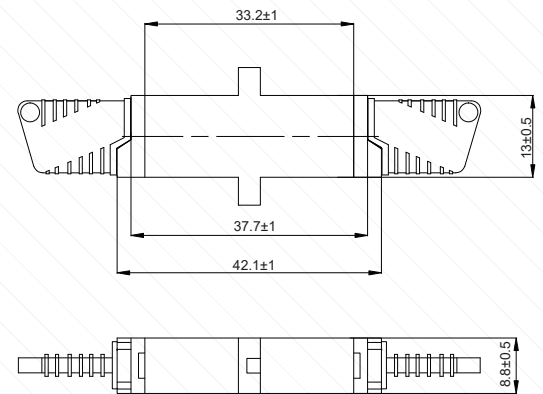
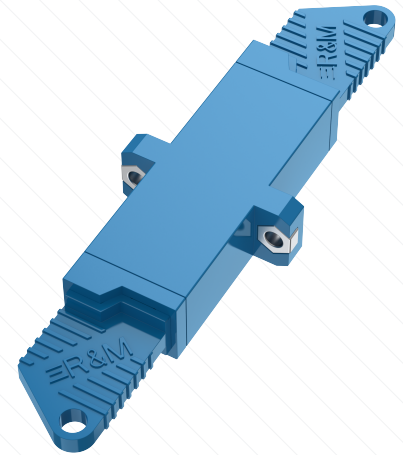
- Excellent handling at high packing density
- Simplex, duplex and 8 way types available.
- Bulkhead adaptor
- Self-retentive mechanism enables
- Low the ferrules compression force off the back panel

### Applications

- Fiber optic transmission system
- CATV networks
- LAN
- Testing/Measurement Instruments
- Fiber distribution frame, Mounts in Fiber Optic Wall Mount and Rack Mount Cabinets

### Specification

Item	PC	APC
Nominal fiber O/D	125um ±2	125um ±2
Insertion Loss	≤0.2dB	≤0.2dB
Return Loss	≥50dB	≥65dB
Mating Durability (500Cycles)	≤0.2dB	
Temperature Stability	≤0.3dB	
Mating Durability (500Cycles)	-40°C ~ 85°C	
Temperature Stability	-40°C ~ 85°C	



### Availability

#### Dust Cap Colors

Blue/Green/Beige