

Variable Optical Attenuator

The optical attenuator is a very important fiber optical passive components, it can be forecast according to user requirements of the optical signal energy attenuation. Used to reflect or absorb light power allowance, the wastage of the evaluation system and all kinds of tests. At present, the series optical attenuator has been widely used optical communication field, brought convenience to the user, as light weight, small size, high precision, good stability, convenient use, etc

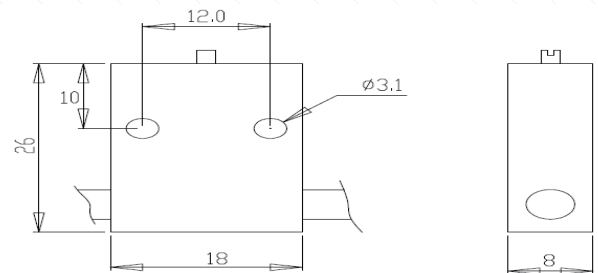
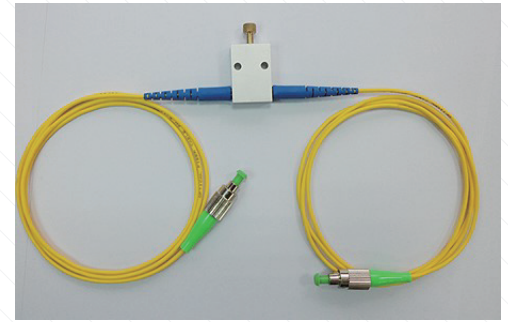
Features

- Bellcore Compliant
- Durability (well over 100mw)
- Wavelength Independent (DWDM)
- Simple and Reliable Structure

Application

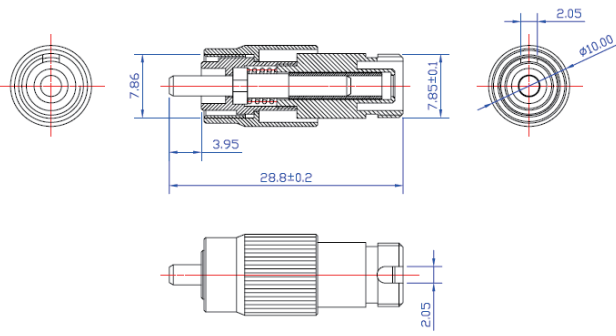
- Telecommunication Networks
- Data Networks
- Video & CATV

Specification

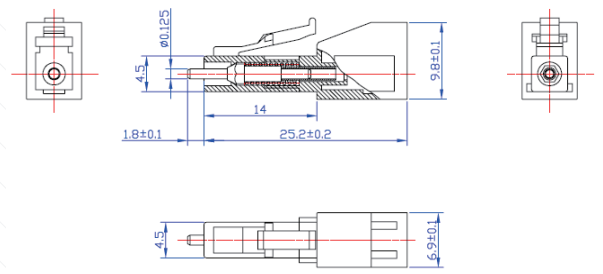


Item	1310	1550	1310/1550 Dual window	850 / 1310
Wavelength (nm)	1310 ± 50	1550 ± 50	1260~1650	850± 40 or 1310 ± 40
Attenuation range (dB)	0.6 ~ 60	0.6 ~ 60	0.8 ~ 60	0.8 ~ 40
Original loss (dB)	≤0.6	≤0.6	≤0.8	≤0.8
Return loss (dB)	≥ 50			≥ 30
Adjustment Precision (dB)	0.02			
Fiber type	SMF-28e			50/125 or 62.5/125 multi-mode
PDL (dB)	≤0.15			
Dimensions (mm)	26×18×8 mm			
Operating temperature (°C)	0°C ~ 70°C			
Storage temperature (°C)	-40°C ~ 85°C			

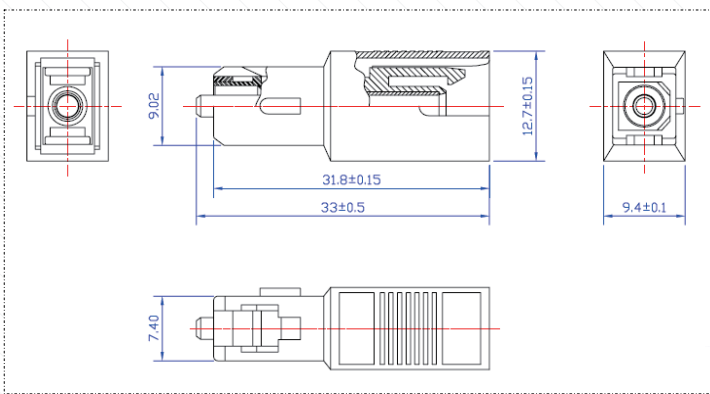
Specification



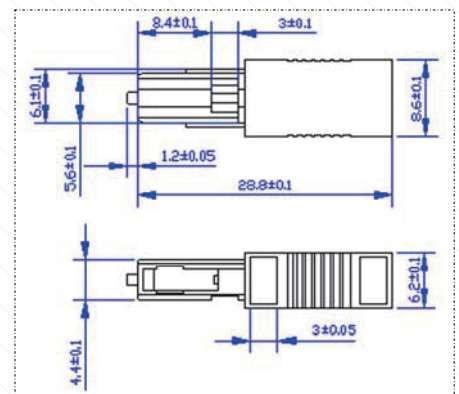
FC TYPE



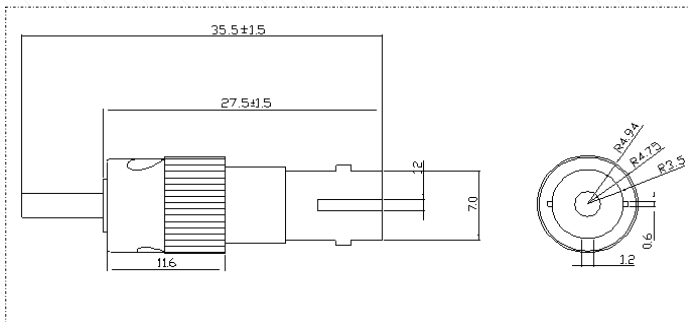
LC TYPE(6.9mm)



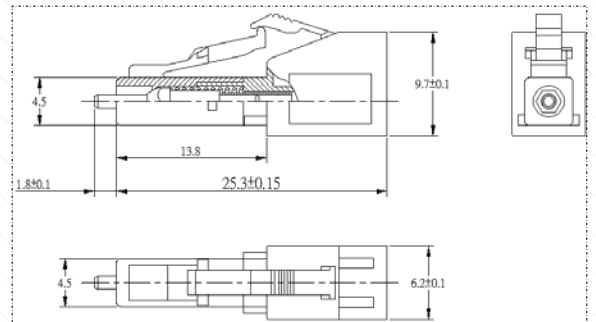
SC TYPE



MU TYPE



ST TYPE



LC TYPE(6.2mm)